



**HAVELLS**

Maximum Retail Price (MRP)

w.e.f. 1st AUG, 2024

**WORLD-CLASS POWER  
NOW IN INDIA**

**HAVELLS  
RIGEL 90**

**WITH A SUCTION POWER OF 2400 m<sup>3</sup>/h**



**LIFE TIME  
WARRANTY\***



**DUAL  
CAVITY**

**BLDC+**

**LOW NOISE ENERGY  
EFFICIENT MOTOR**



**RANGE OF CHIMNEYS**



- Powerful Suction - Gesture Control  
- Heat Autoclean - Filterless

**RANGE OF HOBS**



- Individual Timer - 8 mm Toughened Glass  
- Full Brass Burners

**RANGE OF COOKTOPS**



- Largest Range of Slim Cooktops - Premium Valves  
for 5X Safety - 8 mm Toughened Glass

\*Conditions apply

# ABOUT US

## Redefining the modern homes with innovation and excellence

Havells is at the forefront of transforming modern living spaces by offering innovative solutions that elevate everyday experiences. With a deep understanding of consumer needs, the company has expanded its footprint across every aspect of home life, creating environment that are not only functional but also comfortable, stylish, and future-ready. To make these solutions accessible, Havells leverages an extensive distribution network encompassing 18,000 dealers, over 1,000 exclusive brand stores, intensifying presence in modern retail, e-commerce and quick commerce.

The company's portfolio includes power brands like Havells, Havells Crabtree, Lloyd, REO, Havells Studio, and Standard each designed to cater to the unique demands of today's consumers.

Anchored in the 'Make in India' initiative, Havells operates 16 cutting-edge manufacturing facilities across India, producing 90% of its products in-house. At the forefront of Havells product evolution lies its Customer Experience & Designs (CXD) Studio, where creativity and user-centric design converge. This is complemented by its Centre for Research & Innovation (CRI), supported by four advanced R&D centres, enabling Havells to consistently deliver products that are both functional and visually compelling.

Driven by a commitment to innovation, quality, and design, the company also upholds sustainable practices throughout its operations, including eco-friendly manufacturing processes and energy-efficient product design, contributing to a greener and more sustainable future.



CORPORATE OFFICE  
NOIDA



Industry 4.0 Process



Center For Research & Innovation



State-of-the-Art Manufacturing Unit



Customer Experience & Design

POWERFUL  
PERFORMANCE  
FOR INDIAN  
COOKING NEEDS.



At Havells we believe in making a difference by touching every aspect of our consumers' lives through the products we make and bringing positive changes in it. Since the very beginning all our products have been manufactured keeping the highest standards of quality and innovation in mind and we make sure that they meet the world class standards that our consumers demand. And this legacy continues unwaveringly when it comes to Havells Kitchen Appliances too.

Our experts with decades of experience have been listening to the consumers and we understand that due to lack of adequate information, there are a lot of questions and confusion in the consumers' minds about the need of Kitchen Appliances today and how to choose one! Keeping this in mind, we have designed and perfected Kitchen Appliance Products (Chimneys, Built in Hobs & Cooktops) that not only recognizes the challenges of Indian Kitchen needs / cooking habits, but also removes them effectively.

What makes Havells Kitchen Appliances unique is the fact that it has been developed after rigorous research over cooking habits & utensil arrangements, thereby carving out product range which is Aesthetically Superior, Powerful Performer, Sturdier & comes with unparalleled safety.

16 Manufacturing Units | ~18000 Strong Dealer Network | 4 Research Centres | 48 Offices

# Smoke Disappears

EVEN BEFORE YOU REALISE

India's 1st Dual Cavity with Independent Control with 2400 m<sup>3</sup>/h Suction\*

RIGEL 90 CHIMNEY

\*As per internal research and market survey for combination of unique features.

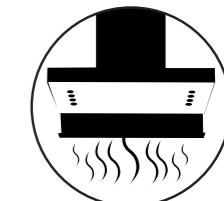


Model Name/ Item Description	Max. Suction	Rated Power	Master Pack No. of Unit/s	Item Code	HSN CODE	MRP in (Rs.) Per Unit
Rigel 90 Slant Dual Cavity Wave Sensing	2400 m³/h	310 W	1 N	GHKCNALK28021	84146000	₹ 1 07 595.00

Product Dimension: (LxWxH) (89.5 x 48.5 x 74.5) cm

Model Name/ Item Description	Max. Suction	Rated Power	Master Pack No. of Unit/s	Item Code	HSN CODE	MRP in (Rs.) Per Unit
Incline 90 Slant Auto-clean Wave Sensing	2400 m³/h	410 W	1 N	GHKCNALK28021	84146000	₹ 1 07 595.00

Product Dimension: (LxWxH) (89.5 x 47.5 x 75.5) cm



2400 m³/h  
Powerful Suction#

WHEN SWITCHED ON, AIR INLET DROPS DOWN 12 cm



Easy Clean  
Glass Surface



Efficient Heat  
Auto-clean



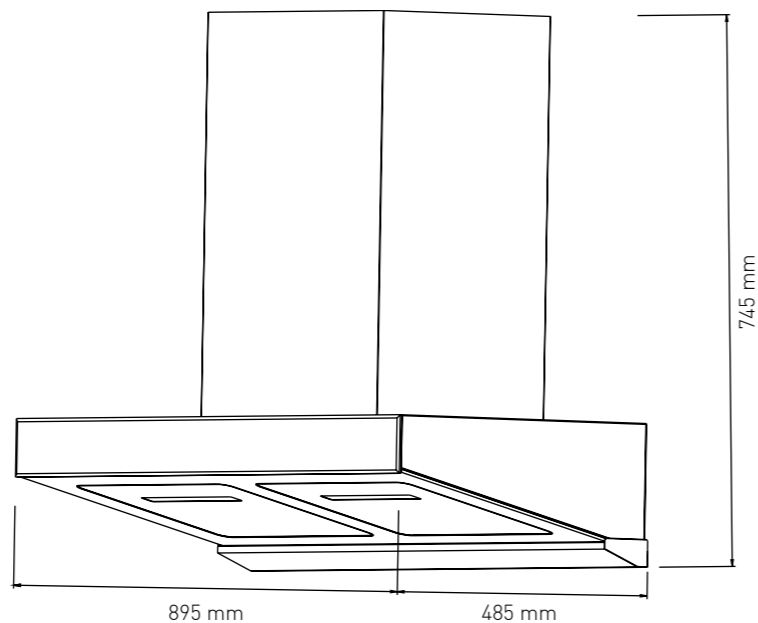
Easy Clean  
Glass Surface



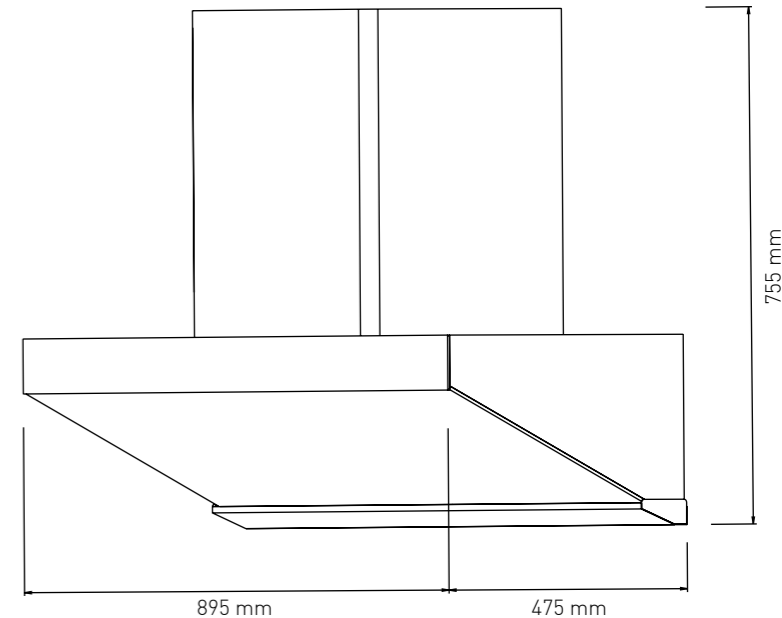
Efficient Heat  
Auto-clean



\*LIFE TIME WARRANTY ON MOTOR IS DEFINED AS 15 YEARS!  
#All Airflow / Suction & Sound Emitted Mentioned Are as Per Ideal Test Conditions.  
This May Change Depending On Different Factors Like Size of Kitchen,  
Environment, Ambient Noise, Operating Voltage, Accessories Used Etc.



\*LIFE TIME WARRANTY ON MOTOR IS DEFINED AS 15 YEARS!  
#All Airflow / Suction & Sound Emitted Mentioned Are as Per Ideal Test Conditions.  
This May Change Depending On Different Factors Like Size of Kitchen,  
Environment, Ambient Noise, Operating Voltage, Accessories Used Etc.

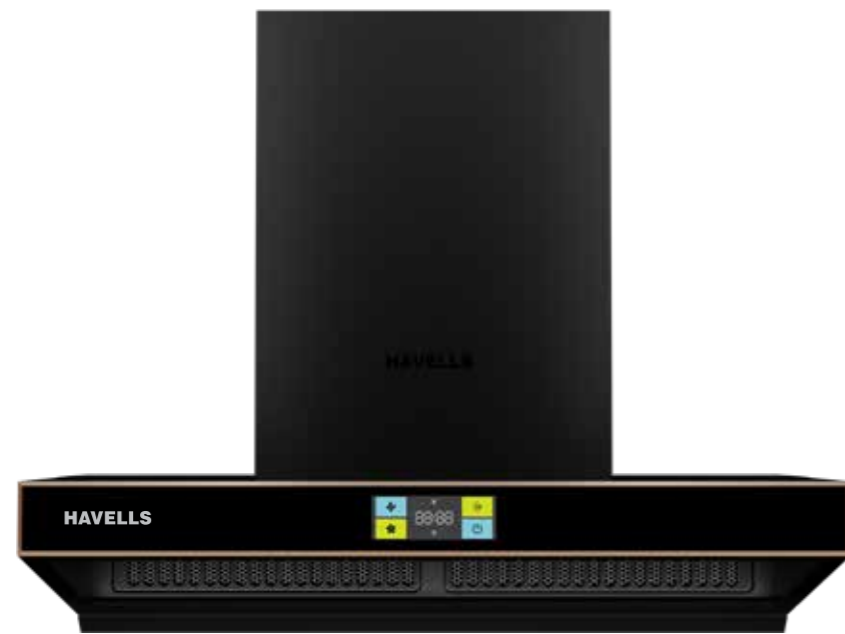


Model Name/ Item Description	Max. Suction	Rated Power	Master Pack No. of Unit/s	Item Code	HSN CODE	MRP in (Rs.) Per Unit
Vector 90 T Shaped Autoclean Wave Sensing	2400 m³/h	380 W	1 N	GHKCNAJK28021	84146000	₹ 85 795.00

Product Dimension: (LxWxH) (89.5 x 48.5 x 74.5) cm

Model Name/ Item Description	Max. Suction	Rated Power	Master Pack No. of Unit/s	Item Code	HSN CODE	MRP in (Rs.) Per Unit
Vector Smart 60 Auto-Clean Wave Sensing	1200 m³/h	223 W	1 N	GHKCNAGK22021	84146000	₹ 40 295.00

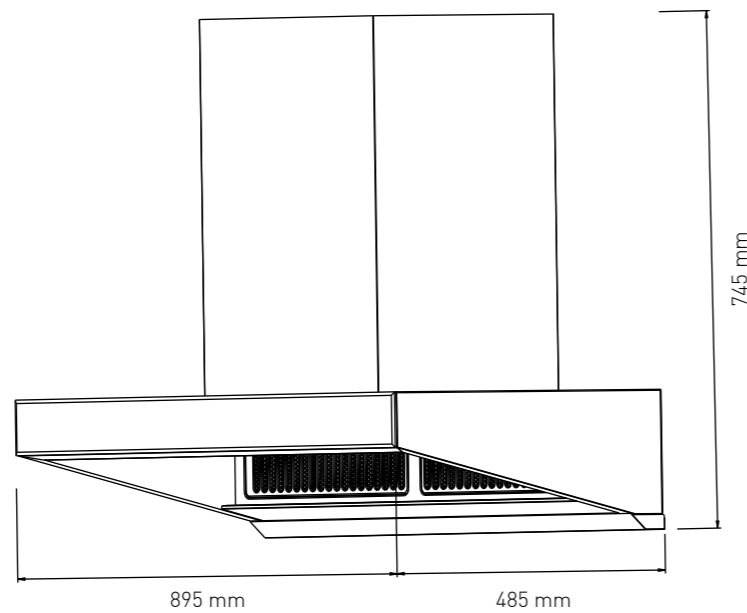
Packaging Dimension: (LxWxH) (60 x 50 x 60.5) cm



Easy Clean  
Glass Surface



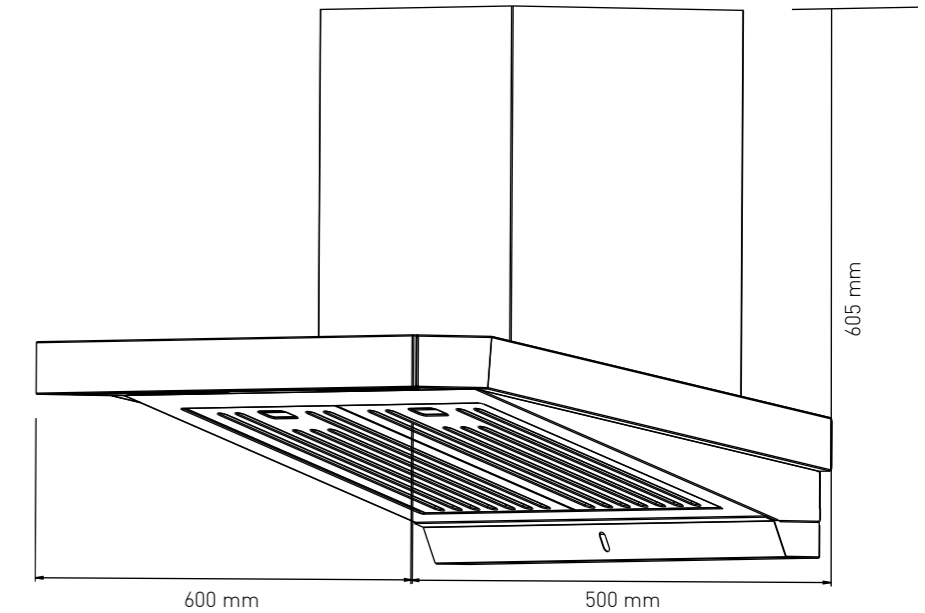
Efficient Heat  
Auto-clean



Easy Clean  
Glass Surface



Efficient Heat  
Auto-clean



\*LIFE TIME WARRANTY ON MOTOR IS DEFINED AS 15 YEARS!  
#All Airflow / Suction & Sound Emitted Mentioned Are as Per Ideal Test Conditions.  
This May Change Depending On Different Factors Like Size of Kitchen,  
Environment, Ambient Noise, Operating Voltage, Accessories Used Etc.



\*LIFE TIME WARRANTY ON MOTOR IS DEFINED AS 15 YEARS!  
#All Airflow / Suction & Sound Emitted Mentioned Are as Per Ideal Test Conditions.  
This May Change Depending On Different Factors Like Size of Kitchen,  
Environment, Ambient Noise, Operating Voltage, Accessories Used Etc.

Model Name/ Item Description	Max. Suction	Rated Power	Master Pack No. of Unit/s	Item Code	HSN CODE	MRP in (Rs.) Per Unit
Tempest Smart 60 Auto-Clean Wave Sensing	1200 m³/h	223 W	1 N	GHKCNAEK22021	84146000	₹ 32 295.00

Product Dimension: (LxWxH) (59.8 × 48 × 49.4) cm

Model Name/ Item Description	Max. Suction	Rated Power	Master Pack No. of Unit/s	Item Code	HSN CODE	MRP in (Rs.) Per Unit
ALNAIR 90 (Autoclean Wave Sensing)	1250 m³/h	185 W	1 N	GHKCNBGKO	84146000	₹ 27 595.00

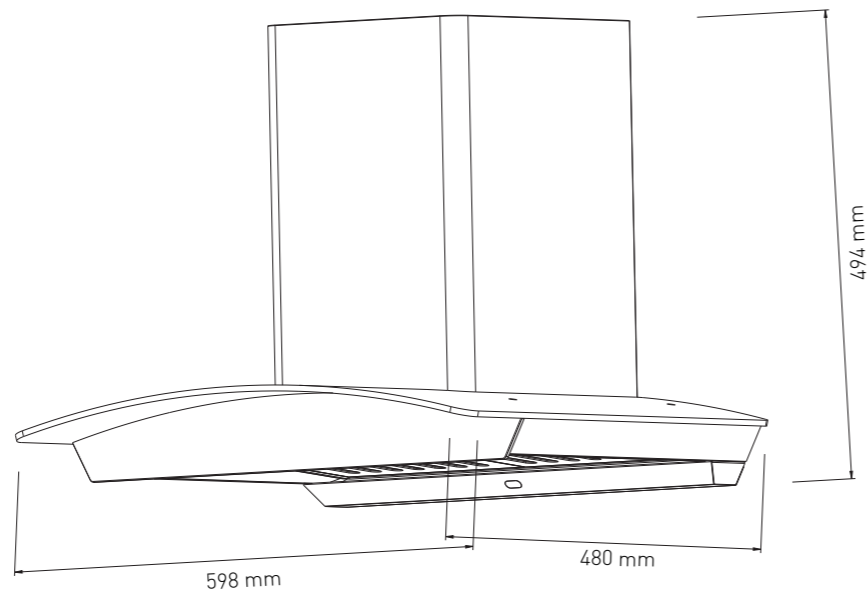
Product Dimension: (LxWxH) (89.5 × 49 × 58) cm



Baffle Filter



Efficient Heat Auto-clean



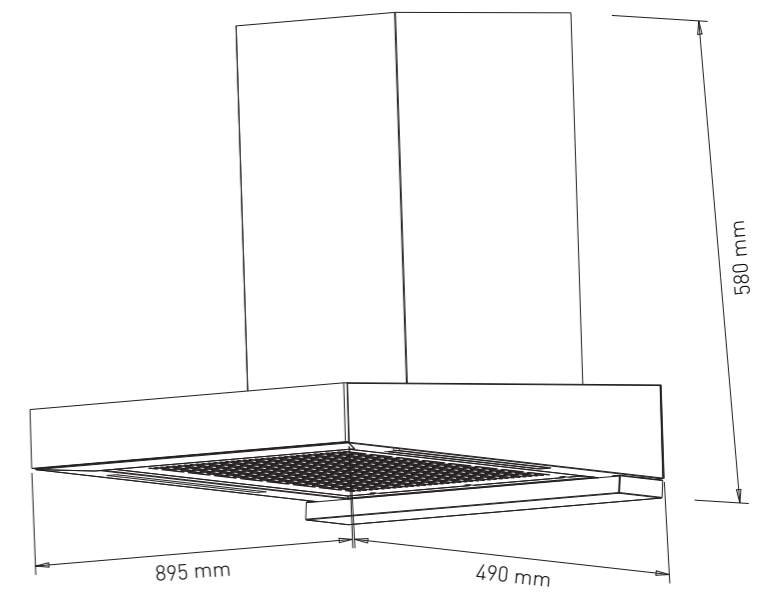
Filter-less Technology



Efficient Heat Auto-clean



**\*LIFE TIME WARRANTY ON MOTOR IS DEFINED AS 15 YEARS!**  
#All Airflow / Suction & Sound Emitted Mentioned Are as Per Ideal Test Conditions. This May Change Depending On Different Factors Like Size of Kitchen, Environment, Ambient Noise, Operating Voltage, Accessories Used Etc.



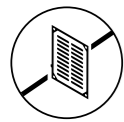
**\*LIFE TIME WARRANTY ON MOTOR IS DEFINED AS 15 YEARS!**  
#All Airflow / Suction & Sound Emitted Mentioned Are as Per Ideal Test Conditions. This May Change Depending On Different Factors Like Size of Kitchen, Environment, Ambient Noise, Operating Voltage, Accessories Used Etc.

Model Name/ Item Description	Max. Suction	Rated Power	Master Pack No. of Unit/s	Item Code	HSN CODE	MRP in (Rs.) Per Unit
ALNAIR 60 (Autoclean Wave Sensing)	1250 m³/h	185 W	1 N	GHKCNAZK000	84146000	₹ 24 195.00

Product Dimension: (LxWxH) (59.5 × 48.5 × 55) cm

Model Name/ Item Description	Max. Suction	Rated Power	Master Pack No. of Unit/s	Item Code	HSN CODE	MRP in (Rs.) Per Unit
Deneb 90 (Autoclean Wave Sensing)	1250 m³/h	160 W	1 N	GHKCNBJK0	84146000	₹ 27 195.00

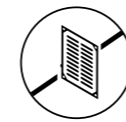
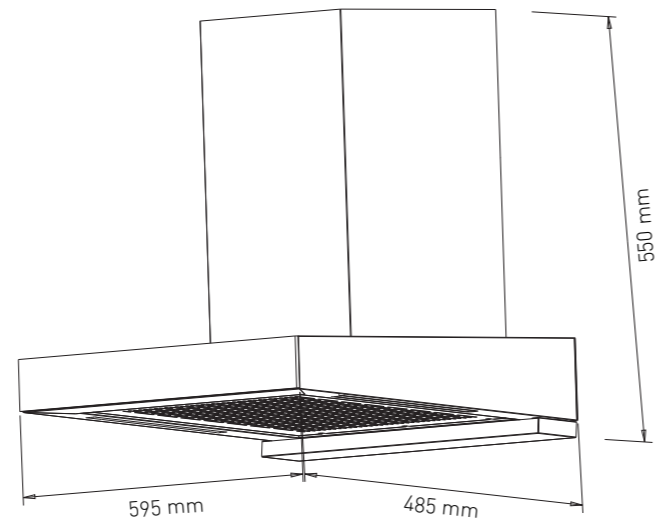
Product Dimension: (LxWxH) (89.4 × 49.7 × 56) cm



Filter-less Technology



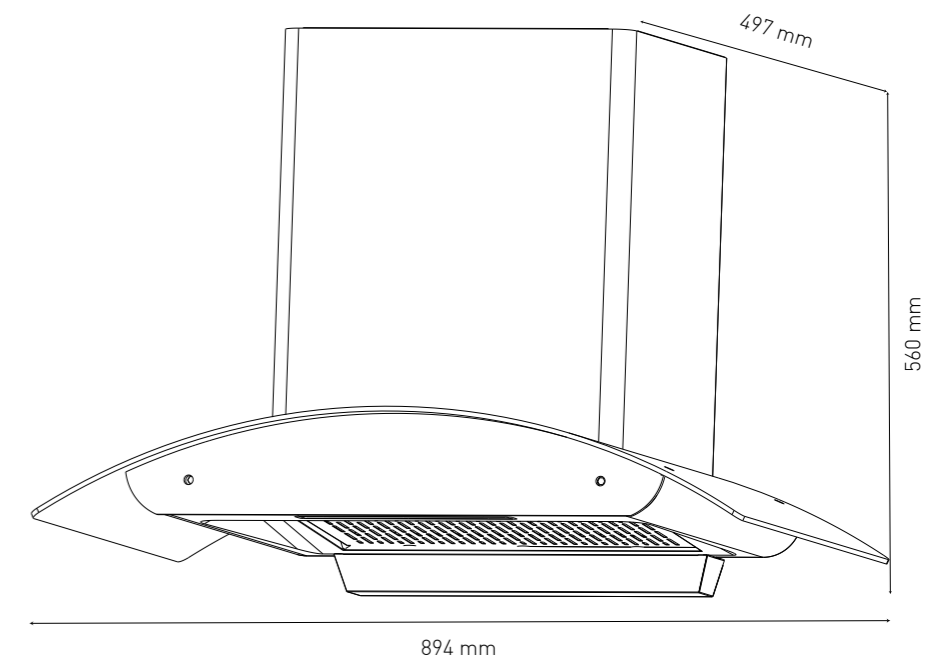
Efficient Heat Auto-clean



Filter-less Technology



Efficient Heat Auto-clean



\*LIFE TIME WARRANTY ON MOTOR IS DEFINED AS 15 YEARS!  
#All Airflow / Suction & Sound Emitted Mentioned Are as Per Ideal Test Conditions.  
This May Change Depending On Different Factors Like Size of Kitchen,  
Environment, Ambient Noise, Operating Voltage, Accessories Used Etc.



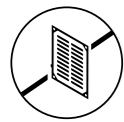
\*LIFE TIME WARRANTY ON MOTOR IS DEFINED AS 15 YEARS!  
#All Airflow / Suction & Sound Emitted Mentioned Are as Per Ideal Test Conditions.  
This May Change Depending On Different Factors Like Size of Kitchen,  
Environment, Ambient Noise, Operating Voltage, Accessories Used Etc.

Model Name/ Item Description	Max. Suction	Rated Power	Master Pack No. of Unit/s	Item Code	HSN CODE	MRP in (Rs.) Per Unit
Deneb 60 (Autoclean Wave Sensing)	1250 m³/h	160 W	1 N	GHKCNBAK000	84146000	₹ 23 695.00

Product Dimension: (LxWxH) (60 × 47 × 48.5) cm

Model Name/ Item Description	Max. Suction	Rated Power	Master Pack No. of Unit/s	Item Code	HSN CODE	MRP in (Rs.) Per Unit
Altair 90 (Autoclean Wave Sensing)	1250 m³/h	185 W	1 N	GHKCNBFK0	84146000	₹ 22 595.00

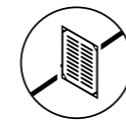
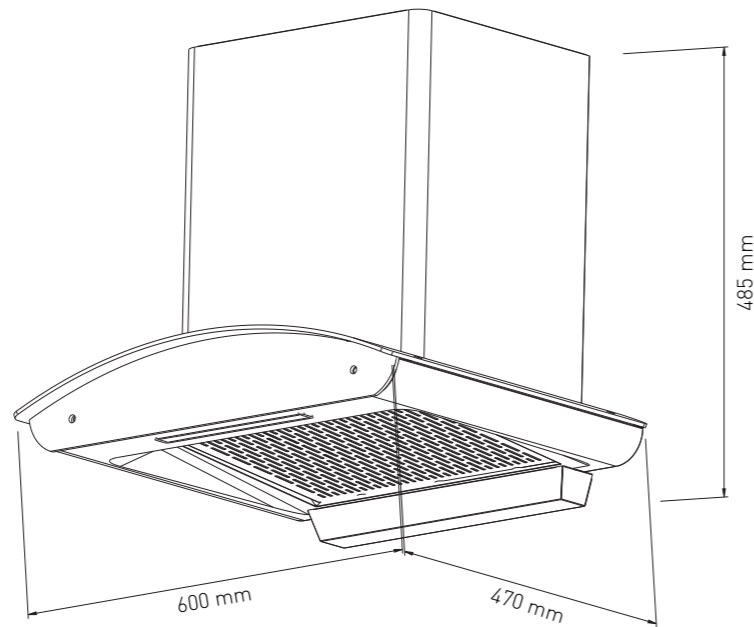
Product Dimension: (LxWxH) (89.5 × 45 × 54.8) cm



Filter-less Technology



Efficient Heat Auto-clean



Filter-less Technology



Efficient Heat Auto-clean



\*LIFE TIME WARRANTY ON MOTOR IS DEFINED AS 15 YEARS!

#All Airflow / Suction & Sound Emitted Mentioned Are as Per Ideal Test Conditions. This May Change Depending On Different Factors Like Size of Kitchen, Environment, Ambient Noise, Operating Voltage, Accessories Used Etc.



\*LIFE TIME WARRANTY ON MOTOR IS DEFINED AS 15 YEARS!

#All Airflow / Suction & Sound Emitted Mentioned Are as Per Ideal Test Conditions. This May Change Depending On Different Factors Like Size of Kitchen, Environment, Ambient Noise, Operating Voltage, Accessories Used Etc.

Model Name/ Item Description	Max. Suction	Rated Power	Master Pack No. of Unit/s	Item Code	HSN CODE	MRP in (Rs.) Per Unit
Altair Plus 60 (Autoclean Wave Sensing)	1250 m³/h	185 W	1 N	GHKCNBQKO	84146000	₹ 21 995.00

Product Dimension: (LxWxH) (58 × 44 × 52) cm

Model Name/ Item Description	Max. Suction	Rated Power	Master Pack No. of Unit/s	Item Code	HSN CODE	MRP in (Rs.) Per Unit
Avior 90 (Autoclean Wave Sensing)	1250 m³/h	185 W	1 N	GHKCNBHKO	84146000	₹ 25 295.00

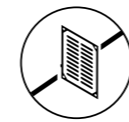
Product Dimension: (LxWxH) (88.3 × 45 × 54.4) cm



Filter-less  
Technology



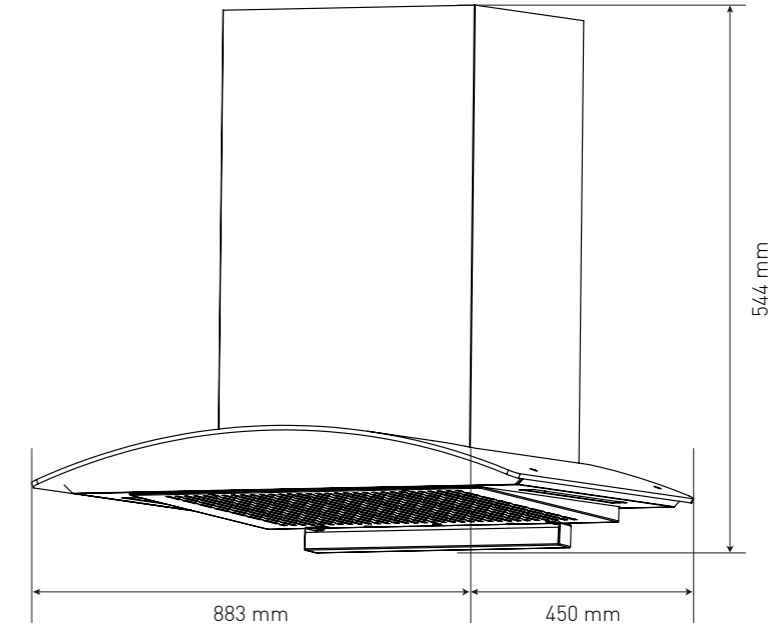
Efficient Heat  
Auto-clean



Filter-less  
Technology



Efficient Heat  
Auto-clean



**\*LIFE TIME WARRANTY ON MOTOR IS DEFINED AS 15 YEARS!**  
#All Airflow / Suction & Sound Emitted Mentioned Are as Per Ideal Test Conditions.  
This May Change Depending On Different Factors Like Size of Kitchen,  
Environment, Ambient Noise, Operating Voltage, Accessories Used Etc.



**\*LIFE TIME WARRANTY ON MOTOR IS DEFINED AS 15 YEARS!**  
#All Airflow / Suction & Sound Emitted Mentioned Are as Per Ideal Test Conditions.  
This May Change Depending On Different Factors Like Size of Kitchen,  
Environment, Ambient Noise, Operating Voltage, Accessories Used Etc.

Model Name/ Item Description	Max. Suction	Rated Power	Master Pack No. of Unit/s	Item Code	HSN CODE	MRP in (Rs.) Per Unit
Avior Plus 60 (Autoclean Wave Sensing)	1250 m <sup>3</sup> /h	185 W	1 N	GHKCNBPKO	84146000	₹ 21 195.00

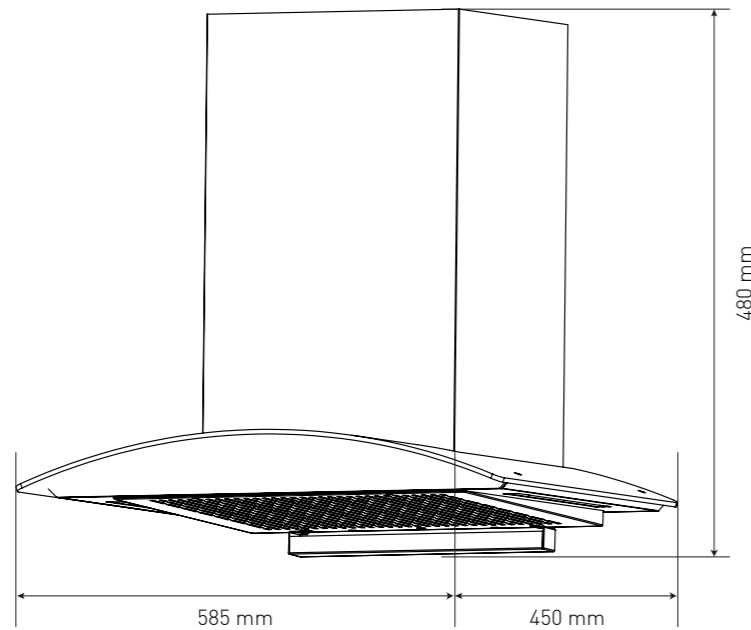
Product Dimension: (LxWxH) (58.5 × 45 × 48) cm



Filter-less  
Technology



Efficient Heat  
Auto-clean



\*LIFE TIME WARRANTY ON MOTOR IS DEFINED AS 15 YEARS!  
#All Airflow / Suction & Sound Emitted Mentioned Are as Per Ideal Test Conditions.  
This May Change Depending On Different Factors Like Size of Kitchen,  
Environment, Ambient Noise, Operating Voltage, Accessories Used Etc.



*Elevate Your Cooking  
Effortlessly*

**TEMPEST SMART 60**  
AUTOCLEAN WAVE SENSING

WORLD-CLASS TECHNOLOGY

# THAT SAVES YOU TIME

WITH INDIVIDUAL TIMER FOR EACH BURNER

HAVELLS

## CENTURO HOBS



INDIVIDUAL  
TIMER



PREMIUM VALVES -  
5X LIFE & SAFETY



HIGH QUALITY  
BRASS BURNER



8 mm GLASS FOR  
INCREASED DURABILITY



# CENTURO

BUILT-IN HOB



Set yourself free by setting the timer while cooking ▶▶



Individual  
Timer



Imported Valves - 5X Life &  
Safety, Precise Flame Control



Full Brass Burner  
For Faster Cooking



8 mm Glass For  
Increased Durability

Model Name/ Item Description	Product Dimension:	Master Pack No. of Unit/s	Item Code	HSN CODE	MRP in (Rs.) Per Unit
Centuro 4 Brass Burner with Individual Timer	(LxWxH) (85 x 52.5 x 14.5) cm	1 N	GHKBAUK000	84146000	₹ 64 995.00

Model Name/ Item Description	Product Dimension:	Master Pack No. of Unit/s	Item Code	HSN CODE	MRP in (Rs.) Per Unit
Centuro 4B 80TAI Auto Ignit Hob 4 Burner	(LxWxH) (80 x 52.5 x 13) cm	1 N	GHKBHATK000	84146000	₹ 46 595.00

DIGITAL TIMER



Individual timer for  
each burner



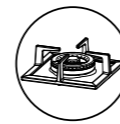
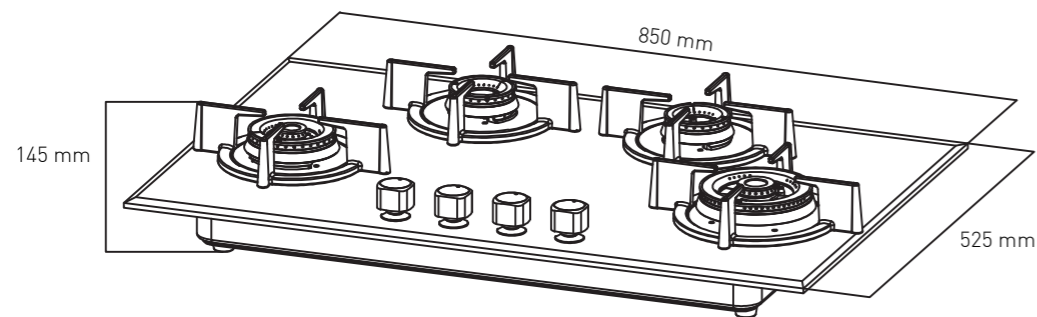
Triple Ring  
Brass



8 mm  
THICK  
Toughened Glass  
Protects Glass  
Top from  
Breakage



5  
YEARS  
Warranty  
On Valves /  
Glass & Brass  
Burner



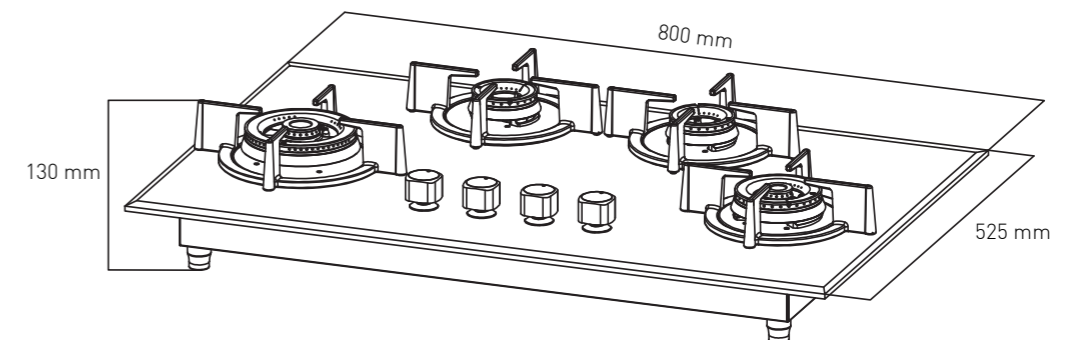
Triple Ring  
Brass



8 mm  
THICK  
Toughened Glass  
Protects Glass  
Top from  
Breakage



5  
YEARS  
Warranty  
On Valves /  
Glass & Brass  
Burner



Model Name/ Item Description	Product Dimension:	Master Pack No. of Unit/s	Item Code	HSN CODE	MRP in (Rs.) Per Unit
Centuro 3B 80TAI Auto Ignit Hob 3 Burner	(LxWxH) (78 x 45 x 13) cm	1 N	GHKBHASK000	84146000	₹ 39 695.00

Model Name/ Item Description	Product Dimension:	Master Pack No. of Unit/s	Item Code	HSN CODE	MRP in (Rs.) Per Unit
Regio 4B 60AI Auto Ignit Hob 4 Burner	(LxWxH) (60 x 52.5 x 13) cm	1 N	GHKBHARK000	84146000	₹ 38 495.00



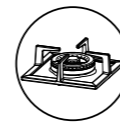
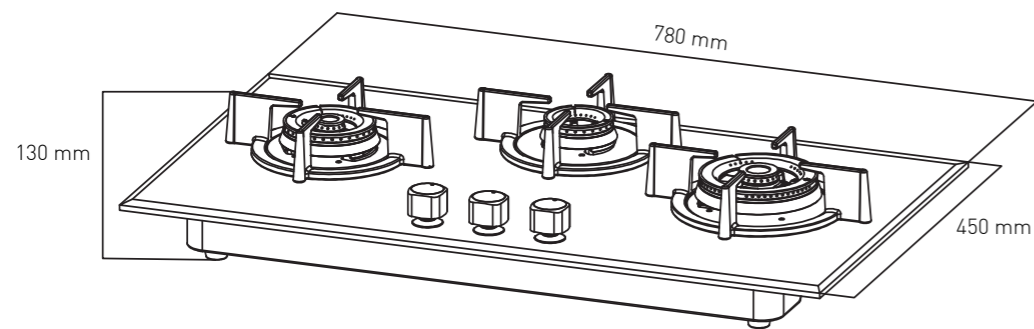
Triple Ring  
Brass

**8 mm**  
THICK

Toughened Glass  
Protects Glass  
Top from  
Breakage

**5**  
YEARS  
Warranty\*

On Valves /  
Glass & Brass  
Burner



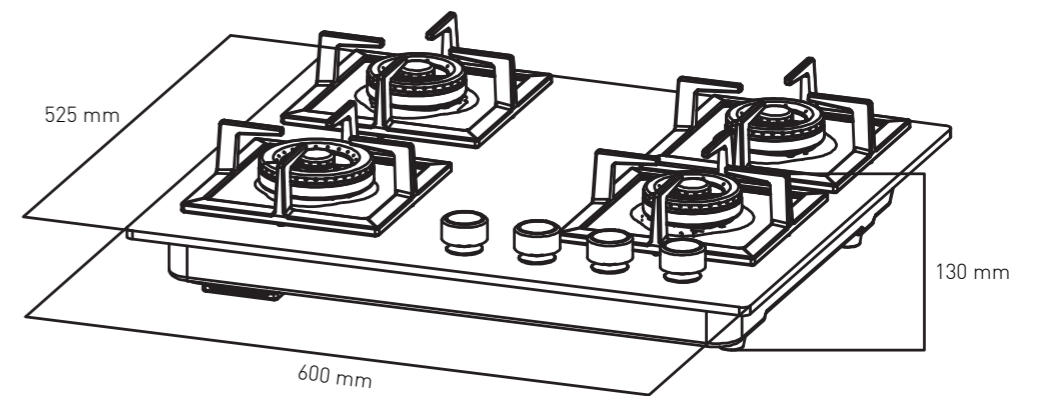
Triple Ring  
Brass

**8 mm**  
THICK

Toughened Glass  
Protects Glass  
Top from  
Breakage

**5**  
YEARS  
Warranty\*

On Valves /  
Glass & Brass  
Burner



Introducing

# WORLD'S LARGEST RANGE\* OF SLIM COOKTOPS

## HAVELLS HEXA

### WITH 8 mm TOUGHENED GLASS



CAST IRON  
HEAVY PAN SUPPORT



PREMIUM VALVES -  
5X LIFE & SAFETY



HIGH QUALITY  
FORGED BRASS



AUTO IGNITION  
FOR EASE OF USAGE



RANGE OF CHIMNEYS

RANGE OF HOBS

RANGE OF COOKTOPS



• Powerful Suction • Gesture Control  
• Heat Autoclean • Filterless



• Individual Timer • 8 mm Toughened Glass  
• Full Brass Burners



• Largest Range of Slim Cooktops • Premium Valves  
for 5X Safety • 8 mm Toughened Glass

\*Based on internal and market search on leading brands offering slim range of cook tops with toughened glass thickness of 8 mm and more.

GLASS COOKTOP

HEXA 4 BUNER

Maximum Retail Price w.e.f. 1st AUG, 2024

Price (In ₹)

Model Name/ Item Description	Product Dimension:	Master Pack No. of Unit/s	Item Code	HSN CODE	MRP in (Rs.) Per Unit
Hexa 4 Burner	(LxWxH) (75 x 56 x 11.2) cm	1 N	GHKCAWK000	84146000	₹ 27 195.00

**5x**  
VALVE LIFE

Imported valve  
5 times more life,  
precise flame control



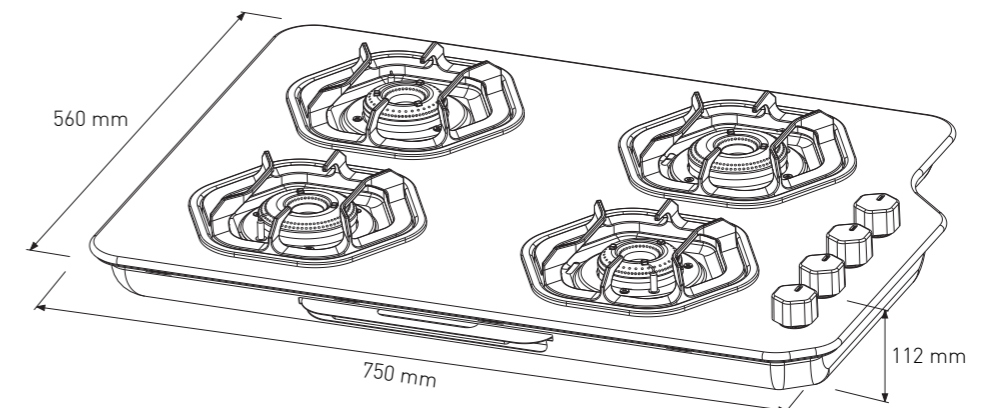
High quality  
duo jumbo  
brass burner

**8 mm**  
THICK

Toughened Glass  
Protects Glass  
Top from  
Breakage

**5**  
YEARS  
Warranty

On Valves /  
Glass & Brass  
Burner



Model Name/ Item Description	Product Dimension:	Master Pack No. of Unit/s	Item Code	HSN CODE	MRP in (Rs.) Per Unit
Hexa 3 Burner	(LxWxH) (75 x 56 x 11.2) cm	1 N	GHKGCQVK000	84146000	₹ 23 595.00

Model Name/ Item Description	Product Dimension:	Master Pack No. of Unit/s	Item Code	HSN CODE	MRP in (Rs.) Per Unit
Nucleus 4 Burner Auto Ignition	(LxWxH) (77.5 x 56.5 x 9.2) cm	1 N	GHKGCQK000	84146000	₹ 21 495.00



Imported valve  
5 times more life,  
precise flame control



Imported valve  
5 times more life,  
precise flame control



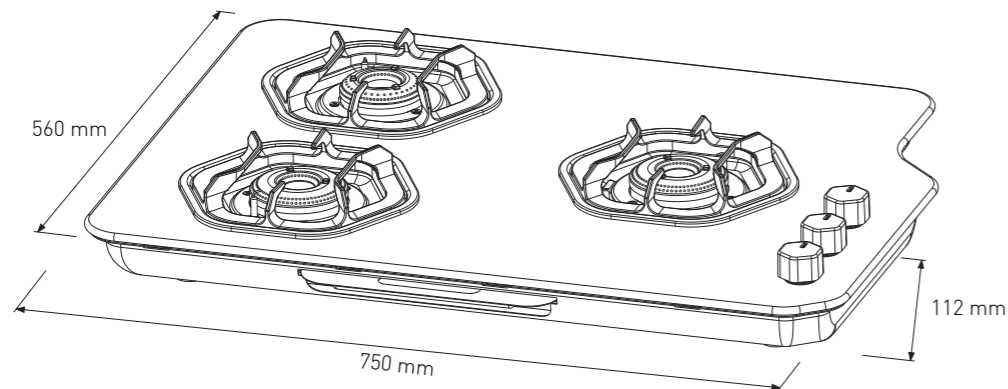
High quality  
duo jumbo  
brass burner



Toughened Glass  
Protects Glass  
Top from  
Breakage



On Valves /  
Glass & Brass  
Burner



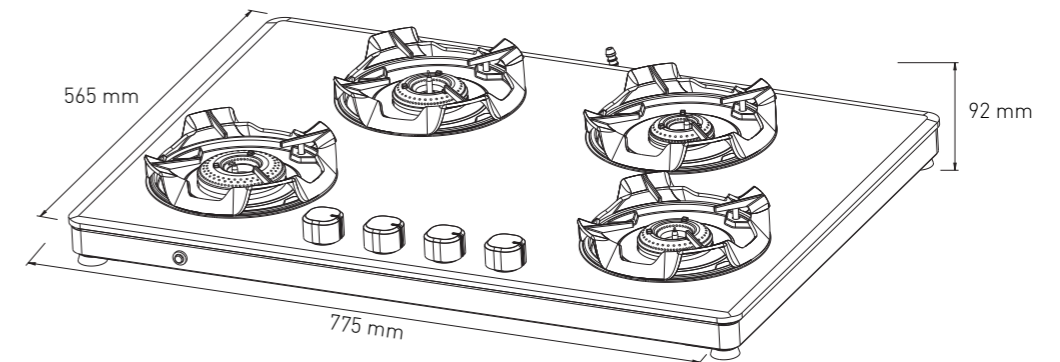
Push button  
auto ignition



Toughened Glass  
Protects Glass  
Top from  
Breakage



On Valves /  
Glass & Brass  
Burner



Model Name/ Item Description	Product Dimension:	Master Pack No. of Unit/s	Item Code	HSN CODE	MRP in (Rs.) Per Unit
Nucleus 4 Burner	(LxWxH) (77.5 x 56.5 x 9.2) cm	1 N	GHKGCACK000	84146000	₹ 18 995.00

Model Name/ Item Description	Product Dimension:	Master Pack No. of Unit/s	Item Code	HSN CODE	MRP in (Rs.) Per Unit
Nucleus 3 Burner	(LxWxH) (77 x 47.5 x 9.2) cm	1 N	GHKGCABK000	84146000	₹ 15 595.00



Imported valve  
5 times more life,  
precise flame control



Imported valve  
5 times more life,  
precise flame control

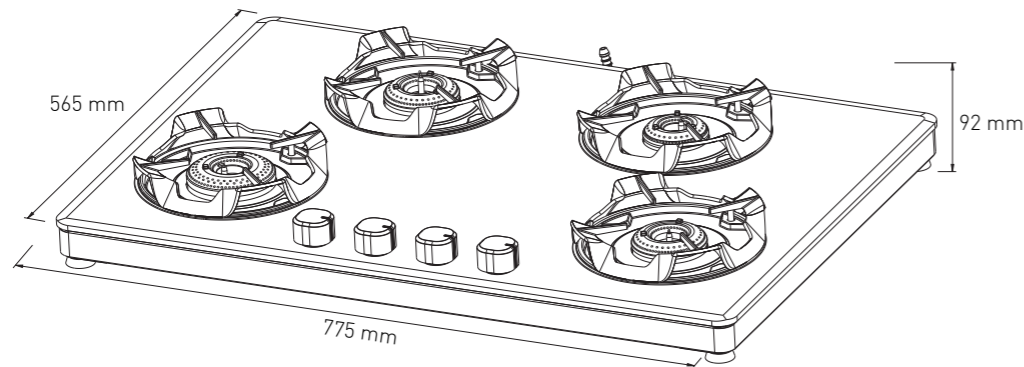


8 mm  
THICK

Toughened Glass  
Protects Glass  
Top from  
Breakage

5  
YEARS  
Warranty\*

On Valves /  
Glass & Brass  
Burner

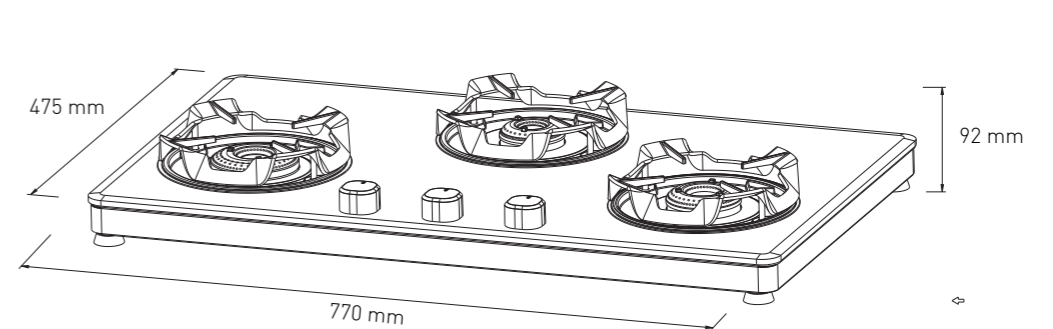


8 mm  
THICK

Toughened Glass  
Protects Glass  
Top from  
Breakage

5  
YEARS  
Warranty\*

On Valves /  
Glass & Brass  
Burner



Model Name/ Item Description	Product Dimension:	Master Pack No. of Unit/s	Item Code	HSN CODE	MRP in (Rs.) Per Unit
Nucleus 2 Burner	(LxWxH) (70 x 41.5 x 9.2) cm	1 N	GHKGC AAK000	84146000	₹ 10 995.00

Model Name/ Item Description	Product Dimension:	Master Pack No. of Unit/s	Item Code	HSN CODE	MRP in (Rs.) Per Unit
Contour 4 Burner	(LxWxH) (63.5 x 56 x 9.9) cm	1 N	GHKGCAPK000	84146000	₹ 15 895.00



Imported valve  
5 times more life,  
precise flame control



Imported valve  
5 times more life,  
precise flame control

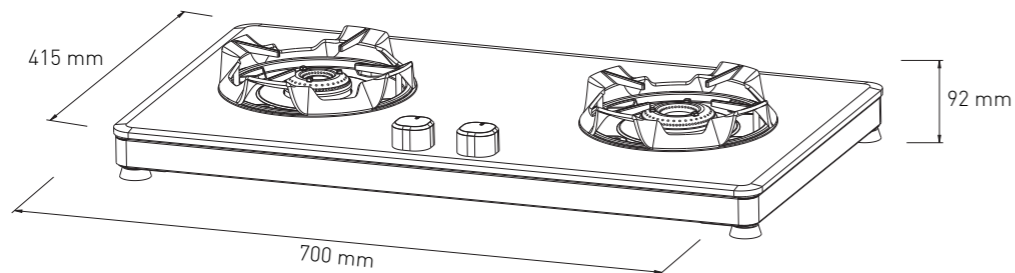


8 mm  
THICK

Toughened Glass  
Protects Glass  
Top from  
Breakage

5  
YEARS  
Warranty\*

On Valves /  
Glass & Brass  
Burner

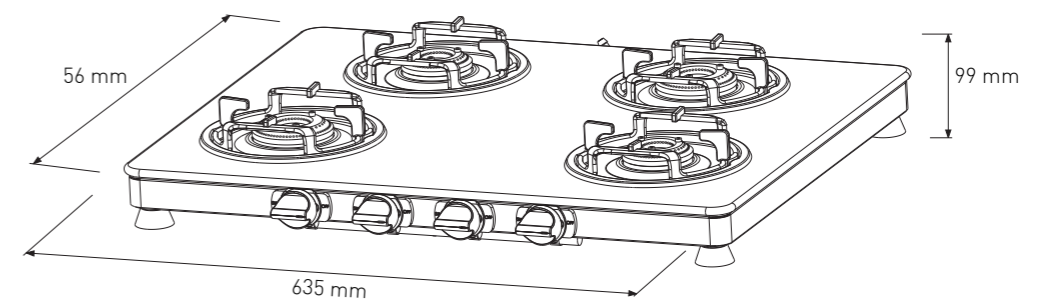


8 mm  
THICK

Toughened Glass  
Protects Glass  
Top from  
Breakage

5  
YEARS  
Warranty\*

On Valves /  
Glass



Model Name/ Item Description	Product Dimension:	Master Pack No. of Unit/s	Item Code	HSN CODE	MRP in (Rs.) Per Unit
Contour 3 Burner	(LxWxH) (77 x 44 x 9.9) cm	1 N	GHKGCANK000	84146000	₹ 13 295.00

Model Name/ Item Description	Product Dimension:	Master Pack No. of Unit/s	Item Code	HSN CODE	MRP in (Rs.) Per Unit
Contour 2 Burner	(LxWxH) (70 x 42 x 9.9) cm	1 N	GHKGCAMK000	84146000	₹ 9 295.00



Imported valve  
5 times more life,  
precise flame control



Imported valve  
5 times more life,  
precise flame control

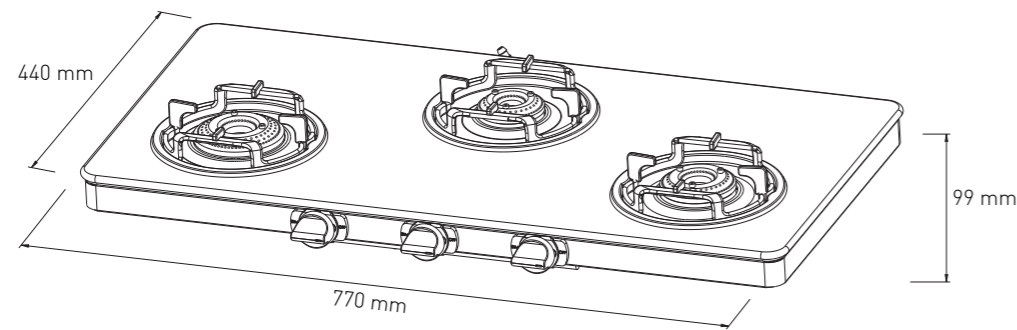


8 mm  
THICK

Toughened Glass  
Protects Glass  
Top from  
Breakage

5  
YEARS  
Warranty\*

On Valves /  
Glass

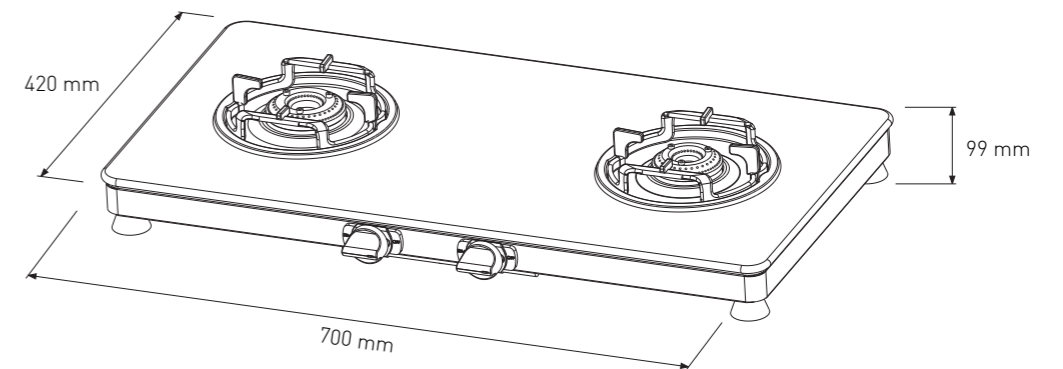


8 mm  
THICK

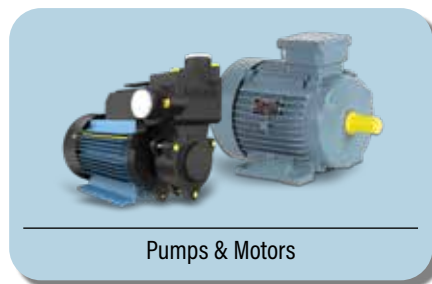
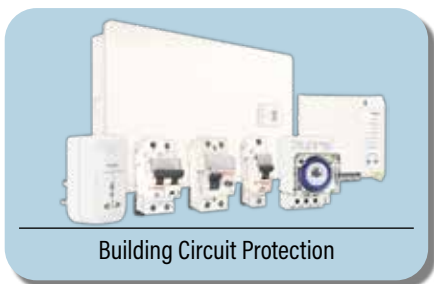
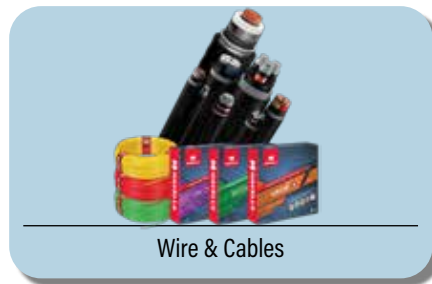
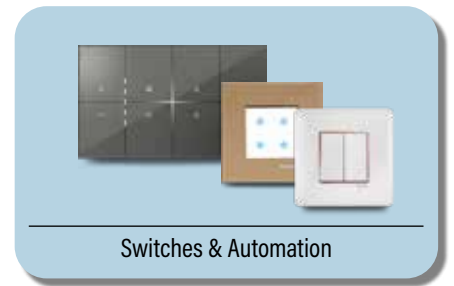
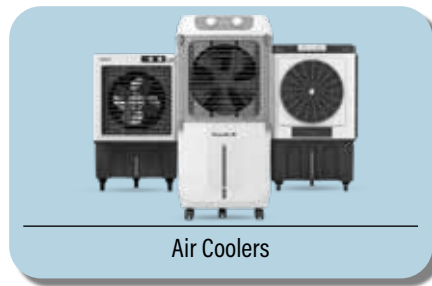
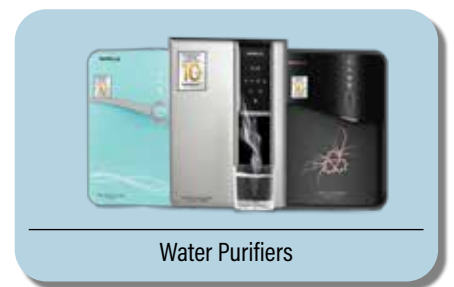
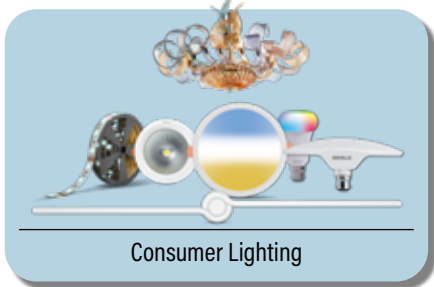
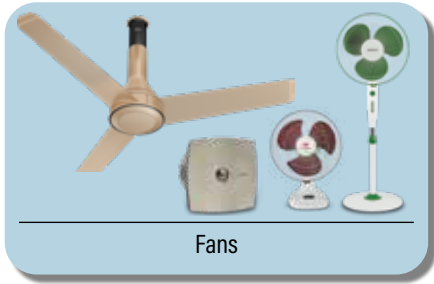
Toughened Glass  
Protects Glass  
Top from  
Breakage

5  
YEARS  
Warranty\*

On Valves /  
Glass



## Wide range of innovative products in Havells categories



"Actual products may vary in colour, design, description and colour combination etc. Although every effort has been made to ensure accuracy in the compilation of the technical detail within this publication. Specifications & performance data are constantly changing."

### Havells India Ltd.

QRG Towers, 2D, Sector -126, Expressway, Noida - 201 304 (UP), Ph. +91-120-3331000

CIN - L31900DL1983PLC016304.

Copyright Subsists. Imitation of trade dress, graphics and color scheme of this document is a punishable offence.

